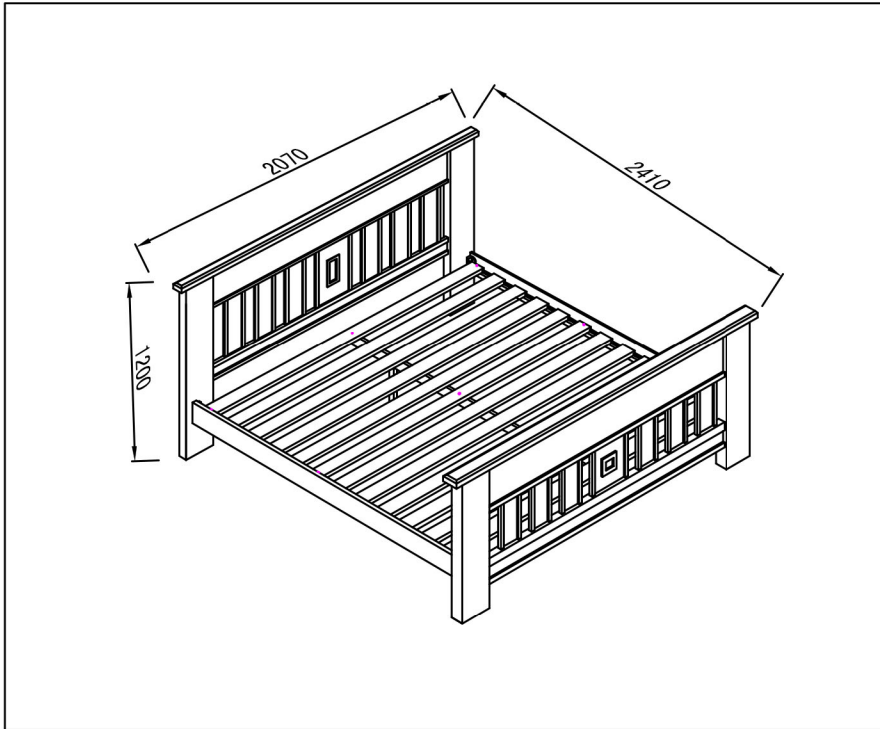




**ASSEMBLY INSTRUCTION
SETTLER KING BED.
ITEM CODE - 43582.**

Imported by Amart Furniture Pty Ltd., QLD, Brisbane Australia.
For any assistance with assembly or for missing parts please
phone Amart Furniture, Customer service Freecall 1800 351 084.






**Imported by Amart Furniture Pty Ltd., QLD, Brisbane Australia.
For any assistance with assembly or for missing parts please
phone Amart Furniture, Customer service Freecall1800 351 084.**

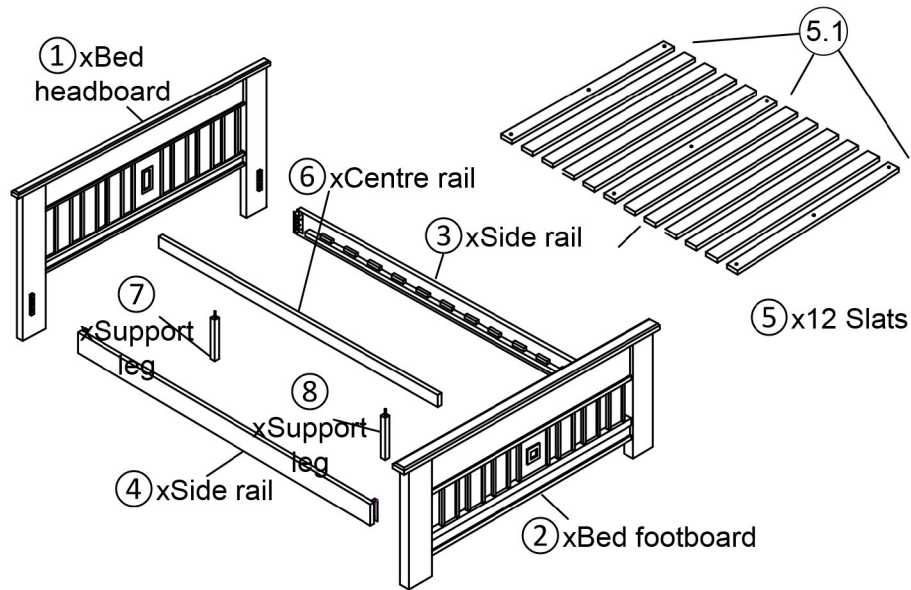
PRE-ASSEMBLY PREPARATION

BEFORE YOU START...

1. Choose a clean, level, spacious assembly area. Avoid hard surfaces that may damage the product.
 2. Check and ensure that you have all required contents for complete assembly.
 3. Always read the assembly instructions carefully before beginning assembly.
 4. The packaging and contents can be a choking hazard, therefore keep out of reach of small children at all times.
 5. Do not over tighten the bolts as this may damage the thread.
- Important note:- Before finally tightening the bolts, place the assembled chair upright on a level surface and sit carefully on the chair to ensure the chair legs are aligned and level. Then tighten all bolts and your chair is ready for use.

	
ALLOW 20 MINUTES	2 PEOPLE REQUIRED
	
ADDITIONAL TOOLS REQUIRED	

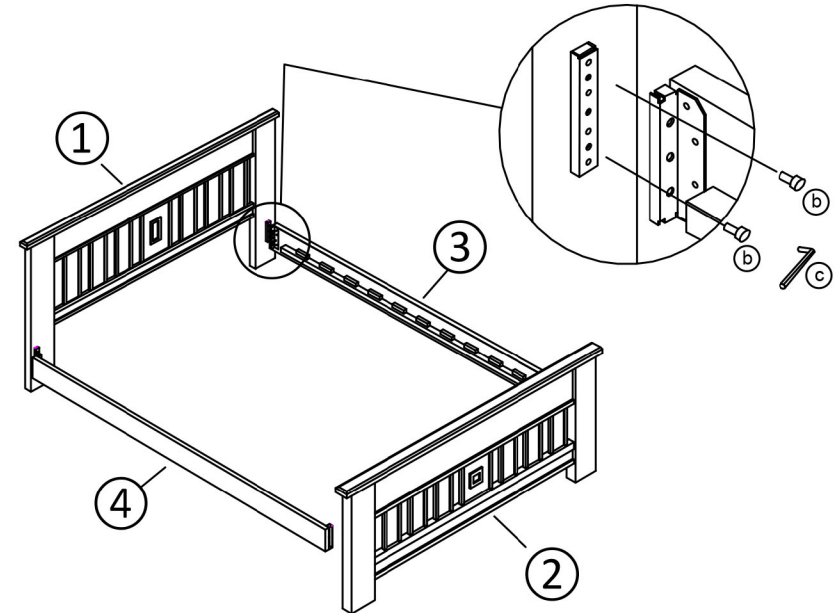
PARTS LIST



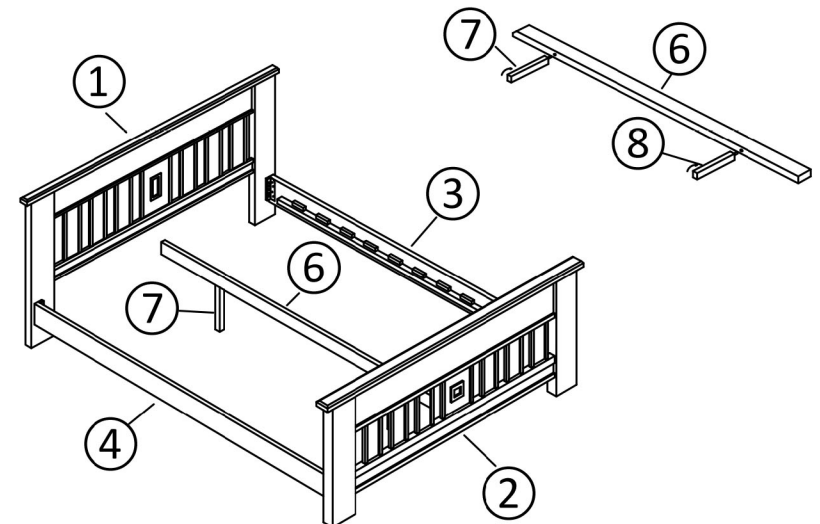
1	HEADBOARD
2	FOOTBOARD
3	SIDE RAIL
4	SIDE RAIL
5	SLATS (1535mm x 90mm)
6	CENTRE RAIL
7	SUPPORT LEG
8	SUPPORT LEG

a. Long Screw M4mmx40mm 6 PCS 	b. Short Screw M6mmx10mm 8 PCS 	c. Allen Key 1 PCS 
--	---	--

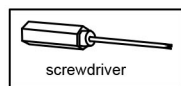
STEP 1: Fasten the side rails (3,4) to bed headboard (1) with short screws (b).
Fasten the side rails (3,4) to bed footboard (2) with short screws (b).



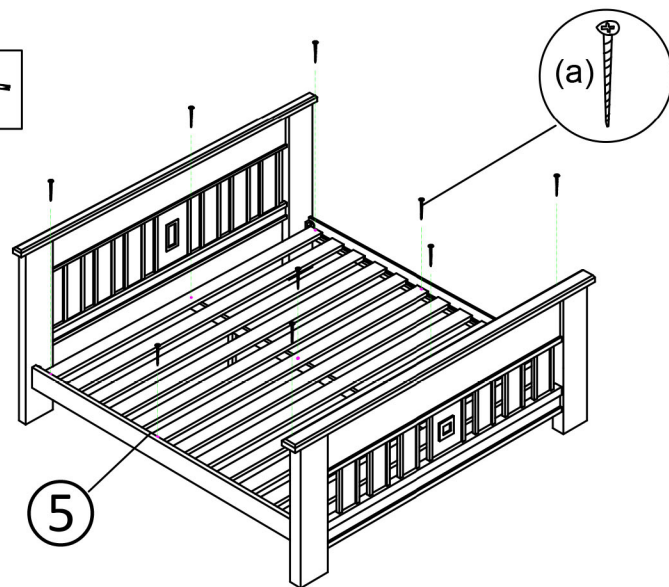
STEP 2: Fasten the support legs (7,8) to centre rail (6).
Attach centre rail (6) to centre of bed.



STEP 3: Mount bed slats with holes (5.1); one at the beginning of bed, centre and end. Fasten down screws (a) with screwdriver.



Not Included



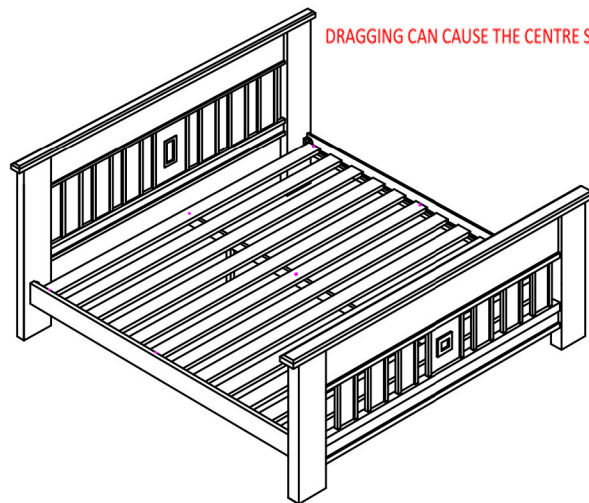
STEP 4: Mount remaining slats (5) to the bed frame.

Assembly is complete.

CAUTION

ALWAYS LIFT YOUR BED WHEN MOVING/RELOCATING – DO NOT DRAG.

DRAGGING CAN CAUSE THE CENTRE SUPPORT LEGS TO BEND/BREAK



Product Care for Timber Items

Congratulations on the purchase of your new piece of furniture.

With its classic country styling and robust good looks, the stunning range is crafted from solid New Zealand plantation-grown pine. Each item within the range is unique with all the natural characteristics of distressed timber, knots, nail holes and colour variations that make it a one of a kind.

A multi-step finish is applied to all of our furniture, but all wood comes from nature. Because of this, there will be natural variations in surface texture and grain like knots, mineral streaks and sap runs that may affect the finish. These differences in character are not defects, but distinctions that make each piece of furniture unique

Our furniture is built to last. Following these steps for basic care should protect your investment for years to come

Dust frequently with a clean damp lint-free cloth. This will help remove abrasive build up which can damage a finish over time

Do not place hot objects on any furniture surface. Always use a hot plate or placemat. Laminate and lacquer finishes on tabletops provide added scratch and heat resistance to our furniture, but they can still be damaged without proper care

Avoid exposing your furniture to strong sunlight, heat outlet, open windows or dampness. Prolonged exposure to direct sunlight can fade the finish of your furniture, while extreme temperature and humidity changes can cause cracking or splitting

Do not expose your furniture to any liquids. Never allow water to sit on your furniture. Alcohol, nail polish and perfume are also dangerous as they will dissolve the lacquer finish on contact and may require professional repairs

Do not allow plastic to come in direct contact with your furniture. Chemicals in the plastic of placemats etc. may soften and mark the finish if left in contact with the furniture for a period of time